

# YAMAHA NS-C103

## Natural Sound Center Speaker System

Thank you for selecting this Yamaha NS-C103 speaker system.

### PRECAUTIONS

Read these precautions carefully before using your speaker.

- Any time you note distortion, reduce the volume control on your amplifier to a lower setting. Never allow your amplifier to be driven into "clipping". Otherwise the speaker may be damaged.
- When using an amplifier with a rated output power higher than the nominal input power of the speaker, care should be taken never to exceed the speaker's maximum input.
- Do not attempt to clean the speaker with chemical solvents as this might damage the finish. To clean, wipe with a dry, soft cloth.
- To prevent the enclosure from warping or discoloring, do not place the speaker where it is exposed to direct sunlight or excessive humidity.
- Do not place the speaker where it is liable to be knocked over or struck by falling objects. Stable placement will also ensure better sound performance.
- Placing the speaker on the same shelf or rack as the turntable can result in feedback.
- **Secure placement or installation is the owner's responsibility.**  
**YAMAHA shall not be liable for any accident caused by improper placement or installation of the speaker.**

### CONNECTION TO YOUR AMPLIFIER

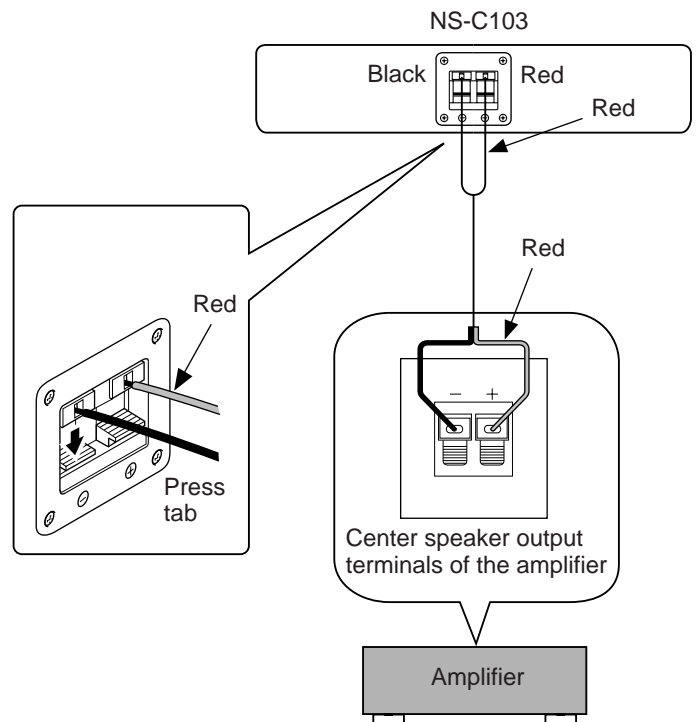
**BEFORE MAKING CONNECTIONS, MAKE SURE THAT THE AMPLIFIER IS SWITCHED OFF.**

#### ■ CONNECTIONS

- Connect the push-type input terminals at the rear of the speakers to the speaker output terminals of your amplifier with the provided speaker cables.
- One side of the speaker cable is red and the other side is black. Connect the (+) terminals on both the amplifier and the speakers using this red side. Connect the (-) terminals on both components using the black side of the cable. If connected with reversed polarity, the sound will be unnatural and lack bass.

Procedures:

- ① Press the tab on the terminal down, as shown in the figure.
- ② Insert the bare wire end properly into the terminal hole. [Remove approx. 10 mm (3/8") insulation from the speaker cable.]
- ③ Remove your finger from the tab to allow it to lock snugly on the cable's wire end.
- ④ Check the connection by lightly pulling the cable at the terminal.

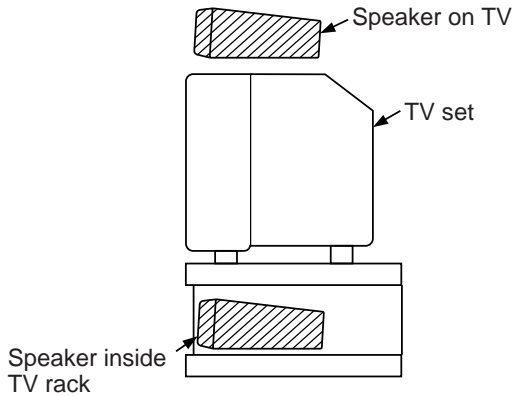


#### Note

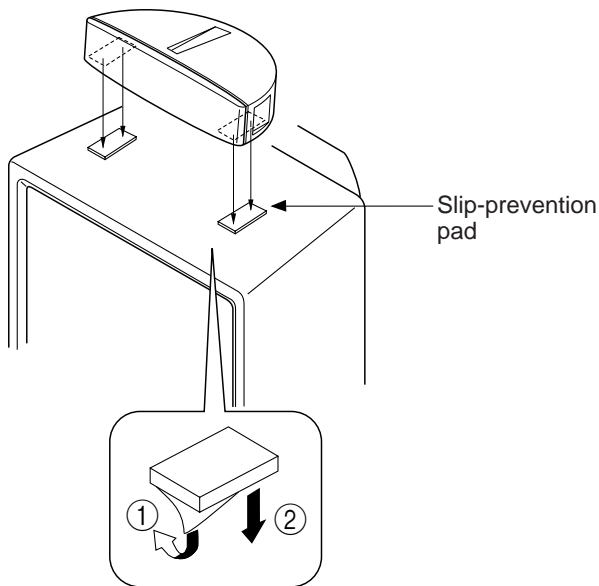
Do not let the bare speaker wires touch each other as this could damage the speaker and/or the amplifier.

## PLACING THE SPEAKER

Place the speaker on top of the TV or on the floor under the TV or inside the TV rack in a stable position.



When placing the speaker on top of the TV, to prevent the speaker from falling down, put the provided slip-prevention pads at two points on the bottom of the speaker where the speaker touches the surface of the TV.



### Notes

- Do not place the speaker on top of the TV whose area is smaller than the bottom area of the speaker. If placed, the speaker may drop, causing a personal injury.
- Though this speaker is a magnetic shielding type, there may be some influence on a TV picture depending on the type of TV or the placement of the speaker. In such a case, place the speaker apart from the TV so that there is no influence on TV picture.

## SPECIFICATIONS

Type .....	2-way 3-speaker bass-reflex speaker system
Speaker Unit.....	Magnetic-shielding type 8 cm cone woofer x 2 2.2 cm semi-dome tweeter
Nominal Impedance .....	6 ohms
Frequency Response .....	65 Hz – 20 kHz
Nominal Input Power .....	40W
Maximum Input Power .....	120W
Sensitivity.....	89 dB/W-m
Dimensions (WxHxD).....	435 x 100 x 230 mm (17-1/8" x 4" x 9-1/16")
Weight.....	2.0 kg (4 lbs. 6 oz.)
Accessories .....	Speaker cable (4m) x 1 Slip-prevention pad x 2

\* Specifications subject to change without notice due to product improvements.

\* Care should be taken not to exceed the input power values noted above.